

Paper Feed Unit Type 600 (G555)

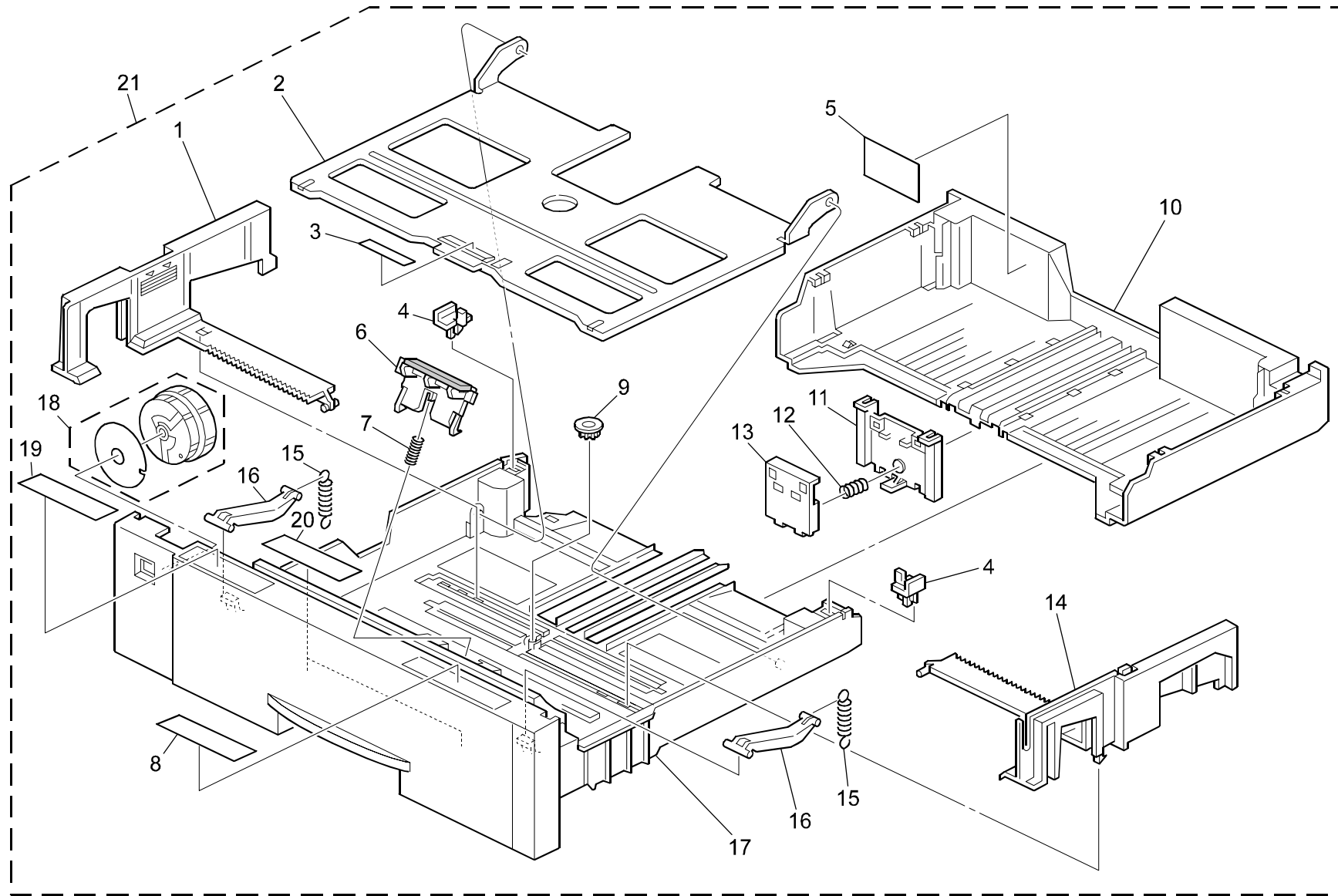
Paper Feed Unit Type 600 (G555)

PARTS CATALOG

This catalog gives the numbers and names of parts on this machine.

1.PAPER CASSETTE (G555)	2
2.PAPER FEED (G555)	4
3.FRAME (G555)	6
PARTS INDEX.....	9

1.PAPER CASSETTE (G555)

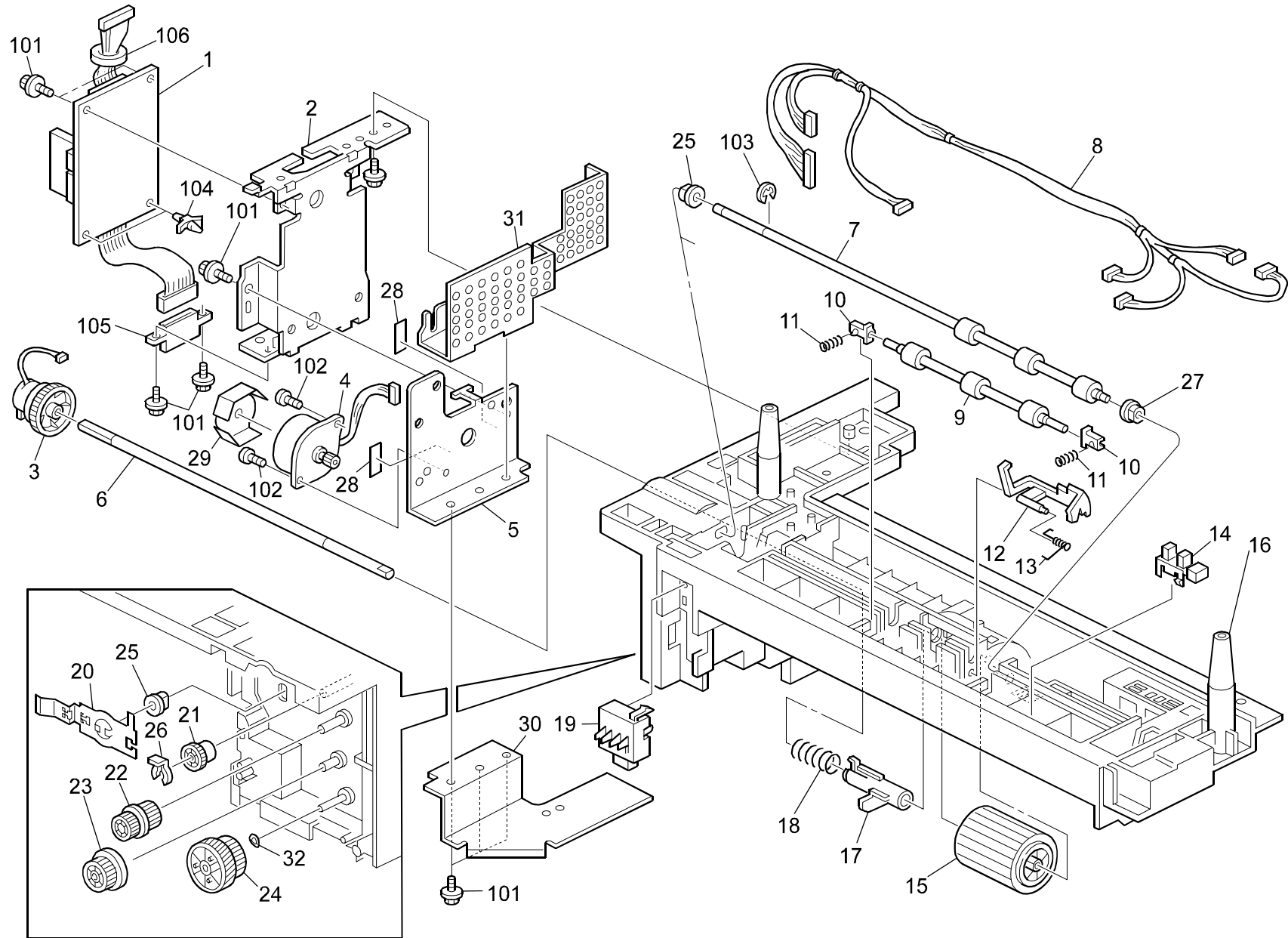


1.PAPER CASSETTE (G555)

Index No.	Part No.	Description	Q'ty Per Assembly
1	G555 3063	Left Side Fence	1
2	G555 3057	Bottom Plate	1
3	G555 3069	Basepad	1
4	G029 2609	Cassette Protection	2
5	G555 3087	Decal - Tray Setting	1
6	G555 3160	Friction Pad	1
7	G555 3068	Separation Spring	1
8	G555 3086	Decal - Operation 2	1
9	G800 3133	Side Fence Gear	1
10	G555 3052	Rear Paper Tray	1
11	G555 3074	Rearend Fence	1
12	G555 3077	End Fence Spring	1
13	G555 3075	Frontend Fence	1
14	G555 3064	Right Side Fence	1
15	G555 3066	Pressure Spring	2
16	G800 3129	Cassette Arm	2
17	G555 3051	Front Paper Tray	1
18	G555 3091	Paper Size Detection Plate	1
19	G555 3085	Decal - Operation 1	1
20	G555 3054	Sheet:Paper Tray:Front	1
21	G555 3040	PFU Paper Tray Ass'y	1

Index No.	Part No.	Description	Q'ty Per Assembly

2.PAPER FEED (G555)

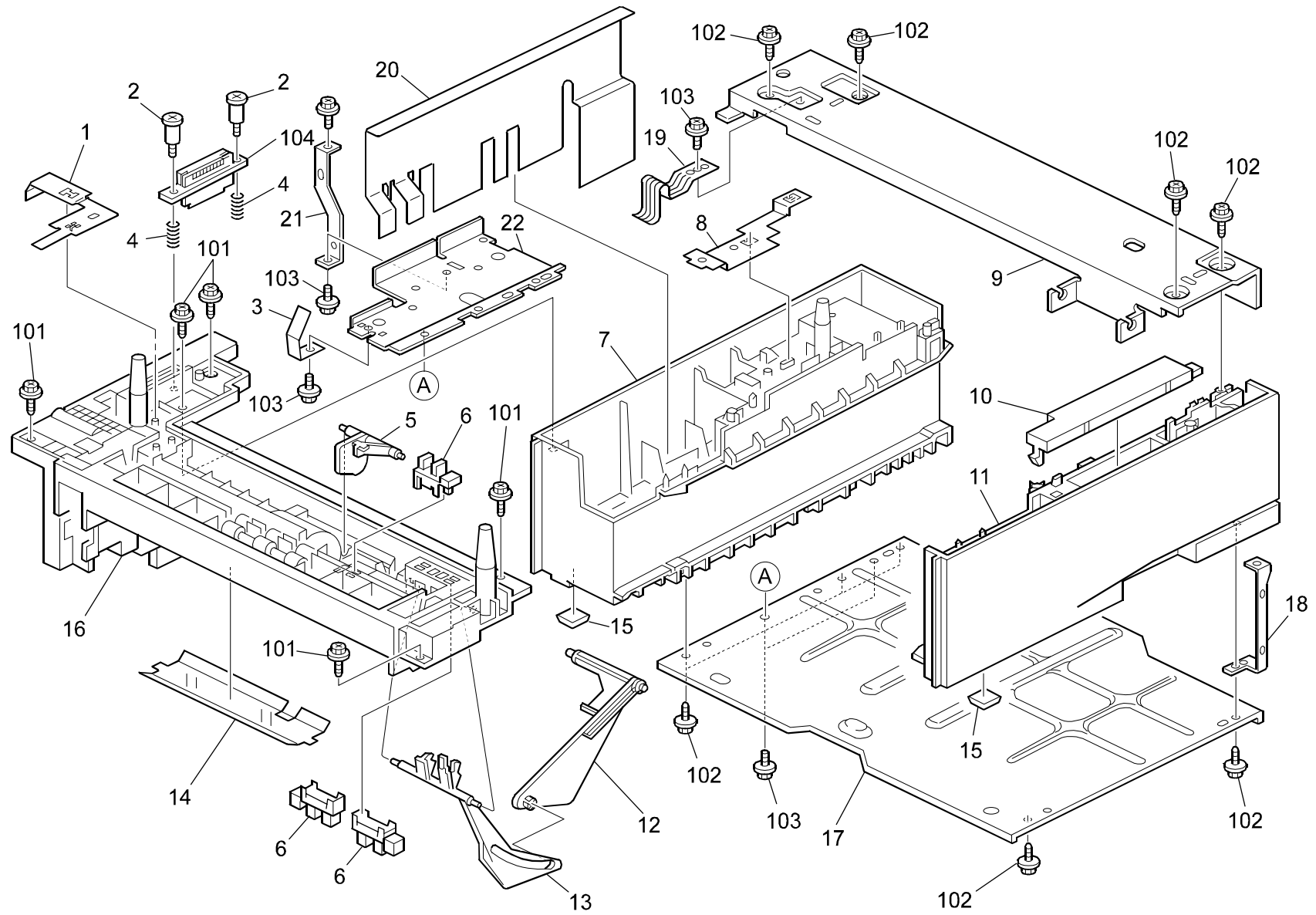


2.PAPER FEED (G555)

Index No.	Part No.	Description	Q'ty Per Assembly
1	G555 5120	PCB Bank Ass'y	1
2	G555 3223	Interface PCB Bracket	1
3	G555 3250	Transport Clutch	1
4	AX04 0205	Stepper Motor-DC24V 28.8W	1
5	G555 3228	Motor Bracket	1
6	G555 3112	Paper Feed Shaft	1
7	G555 3115	Drive Roller	1
8	G555 5320	Harness	1
9	G555 3116	Driven Roller	1
10	G555 3117	Roller Holder	2
11	G555 3142	Pressure Spring	2
12	G555 3119	Transport Detection Feeler	1
13	G555 3127	Feeler Spring	1
14	AW02 0086	Photointerruptor	1
15	G052 3103	Paper Feed Roller	1
16	G555 3111	Paper Feed Frame	1
17	G555 3113	Paper Feed Shaft Holder	1
18	G029 2657	Compression Spring	1
19	G555 3210	Push Switch - Paper Size	1
20	G555 3121	Spring Plate - Shaft	1
21	G555 3248	Gear - 20Z	1
22	G555 3247	Gear - 21Z	1
23	G555 3246	Gear - 22Z	1
24	G555 3245	Gear - 21Z	1
25	5053 0447	Bushing - 6mm	2
26	5447 2681	Snap Ring	1
27	AA08 0252	Bushing - M4	1
28	G555 1213	Heat Sink	2
29	G555 1217	Heat Sink:Stepper Motor	1
30	G555 1216	Heat Sink - Base	1
31	G555 1218	Heat Sink - Motor	1
32	5443 2713	Wave Washer	1

Index No.	Part No.	Description	Q'ty Per Assembly
101	0451 3006B	Tapping Screw - M3x6	
102	0453 3006B	Tapping Screw - M3x6	
103	0720 0040E	Retaining Ring - M4	
104	1105 0192	Locking Support	
105	1102 8309	Connector:IMSA-9715B-12A	
106	1607 0439	Ferrite Core:TR-20-10-5	1

3.FRAME (G555)



3.FRAME (G555)

Index No.	Part No.	Description	Q'ty Per Assembly
1	G555 3125	Spring Plate - Bottom Plate	1
2	G555 3224	Stepped Screw	2
3	G555 1097	Spring Plate:Earth:Lower	1
4	G555 3222	Pressure Spring	2
5	G555 3120	Paper End Feeler	1
6	AW02 0086	Photointerruptor	3
7	G555 1052	Left Frame	1
8	G555 1092	Grounding Plate	1
9	G555 1070	Upper Frame	1
10	G555 1065	Right Frame Cover	1
11	G555 1061	Right Frame	1
12	G555 3126	Paper Volume Arm	1
13	G555 3118	Paper Volume Feeler	1
14	G555 3131	Vertical Transport Guide	1
15	G555 1055	Cushion - Frame	2
16	G555 3111	Paper Feed Frame	1
17	G555 1082	Lower Frame	1
18	G555 1098	Ground Plate:Right Middle	1
19	G555 1095	Ground Plate:Upper	1
20	G555 1311	Heat Sink	1
21	G555 1096	Ground Plate:Left Middle	1
22	G555 1094	Ground Plate:Lower	1

Index No.	Part No.	Description	Q'ty Per Assembly
101	0451 3006B	Tapping Screw - M3x6	
102	0450 3008B	Tapping Screw - M3x8	
103	0451 3006H	Tapping Screw - 3x6	
104	1102 8308	Connector - 12P	

Parts Index

Parts Index

Part No.	Description	Page and Index No.
G555 1052	Left Frame	7 - 7
G555 1055	Cushion - Frame	7 - 15
G555 1061	Right Frame	7 - 11
G555 1065	Right Frame Cover	7 - 10
G555 1070	Upper Frame	7 - 9
G555 1082	Lower Frame	7 - 17
G555 1092	Grounding Plate	7 - 8
G555 1094	Ground Plate:Lower	7 - 22
G555 1095	Ground Plate:Upper	7 - 19
G555 1096	Ground Plate:Left Middle	7 - 21
G555 1097	Spring Plate:Earth:Lower	7 - 3
G555 1098	Ground Plate:Right Middle	7 - 18
G555 1213	Heat Sink	5 - 28
G555 1216	Heat Sink - Base	5 - 30
G555 1217	Heat Sink:Stepper Motor	5 - 29
G555 1218	Heat Sink - Motor	5 - 31
G555 1311	Heat Sink	7 - 20
G555 3040	PFU Paper Tray Ass'y	3 - 21
G555 3051	Front Paper Tray	3 - 17
G555 3052	Rear Paper Tray	3 - 10
G555 3054	Sheet:Paper Tray:Front	3 - 20
G555 3057	Bottom Plate	3 - 2
G555 3063	Left Side Fence	3 - 1
G555 3064	Right Side Fence	3 - 14
G555 3066	Pressure Spring	3 - 15
G555 3068	Separation Spring	3 - 7
G555 3069	Basepad	3 - 3
G555 3074	Rearend Fence	3 - 11
G555 3075	Frontend Fence	3 - 13
G555 3077	End Fence Spring	3 - 12
G555 3085	Decal - Operation 1	3 - 19
G555 3086	Decal - Operation 2	3 - 8
G555 3087	Decal - Tray Setting	3 - 5
G555 3091	Paper Size Detection Plate	3 - 18
G555 3111	Paper Feed Frame	7 - 16

Part No.	Description	Page and Index No.
G555 3111	Paper Feed Frame	5 - 16
G555 3112	Paper Feed Shaft	5 - 6
G555 3113	Paper Feed Shaft Holder	5 - 17
G555 3115	Drive Roller	5 - 7
G555 3116	Driven Roller	5 - 9
G555 3117	Roller Holder	5 - 10
G555 3118	Paper Volume Feeler	7 - 13
G555 3119	Transport Detection Feeler	5 - 12
G555 3120	Paper End Feeler	7 - 5
G555 3121	Spring Plate - Shaft	5 - 20
G555 3125	Spring Plate - Bottom Plate	7 - 1
G555 3126	Paper Volume Arm	7 - 12
G555 3127	Feeler Spring	5 - 13
G555 3131	Vertical Transport Guide	7 - 14
G555 3142	Pressure Spring	5 - 11
G555 3160	Friction Pad	3 - 6
G555 3210	Push Switch - Paper Size	5 - 19
G555 3222	Pressure Spring	7 - 4
G555 3223	Interface PCB Bracket	5 - 2
G555 3224	Stepped Screw	7 - 2
G555 3228	Motor Bracket	5 - 5
G555 3245	Gear - 21Z	5 - 24
G555 3246	Gear - 22Z	5 - 23
G555 3247	Gear - 21Z	5 - 22
G555 3248	Gear - 20Z	5 - 21
G555 3250	Transport Clutch	5 - 3
G555 5120	PCB Bank Ass'y	5 - 1
G555 5320	Harness	5 - 8

Part No.	Description	Page and Index No.
G029 2609	Cassette Protection	3 - 4
G029 2657	Compression Spring	5 - 18
G052 3103	Paper Feed Roller	5 - 15
G800 3129	Cassette Arm	3 - 16
G800 3133	Side Fence Gear	3 - 9

Part No.	Description	Page and Index No.
AA08 0252	Bushing - M4	5 - 27
AW02 0086	Photointerruptor	5 - 14
AW02 0086	Photointerruptor	7 - 6
AX04 0205	Stepper Motor-DC24V 28.8W	5 - 4

Part No.	Description	Page and Index No.
0450 3008B	Tapping Screw - M3x8	7 -102
0451 3006B	Tapping Screw - M3x6	5 -101
0451 3006B	Tapping Screw - M3x6	7 -101
0451 3006H	Tapping Screw - 3x6	7 -103
0453 3006B	Tapping Screw - M3x6	5 -102
0720 0040E	Retaining Ring - M4	5 -103
1102 8308	Connector - 12P	7 -104
1102 8309	Connector:IMSA-9715B-12A	5 -105
1105 0192	Locking Support	5 -104
1607 0439	Ferrite Core:TR-20-10-5	5 -106

Part No.	Description	Page and Index No.
5053 0447	Bushing - 6mm	5 - 25
5443 2713	Wave Washer	5 - 32
5447 2681	Snap Ring	5 - 26